



INSTRUCTIONS

PS-200

EXTERNAL POWER SUPPLY

INTRODUCTION

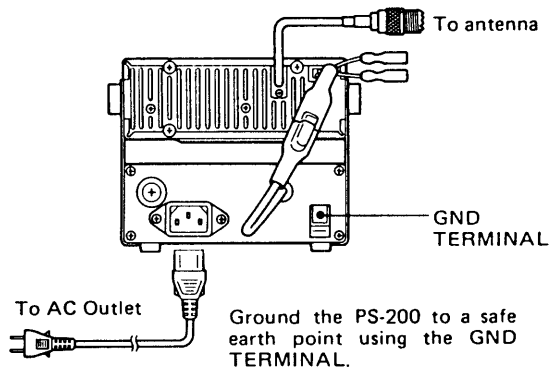
ICOM's new PS-200 AC EXTERNAL POWER SUPPLY utilizes a newly developed, innovative switching regulator system which results in consistent, high quality power performances.

The SM-12 DESK MICROPHONE is also available from ICOM, an option designed to help build a complete base station facility.

SPECIFICATIONS

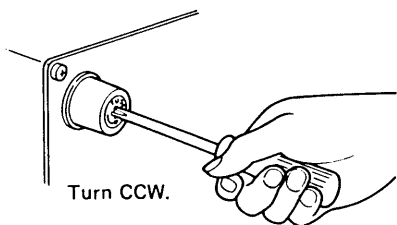
- Input power : 100 ~ 120V AC
200 ~ 240V AC
- Output voltage : 13.8V DC
- Max. current capacity : 8A
- Dimensions : Width 140 (141) mm
(Bracketed values include projections) Height 50 (60) mm
Depth 204 (223) mm
- Weight : 1.9kg

REAR PANEL CONNECTOR CONNECTIONS



CHANGING THE FUSE

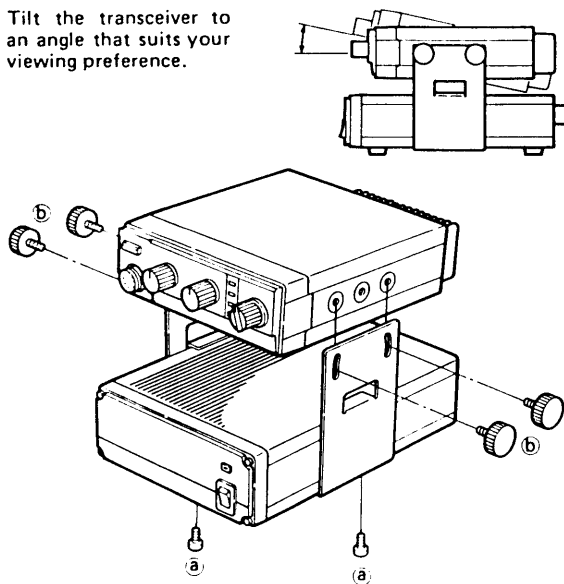
WARNING: To prevent electric shocks, disconnect the AC cable from the AC outlet (receptacle) before performing any work on the transceiver.



100 ~ 120V AC type : 5A
200 ~ 240V AC type : 3A

MOUNTING

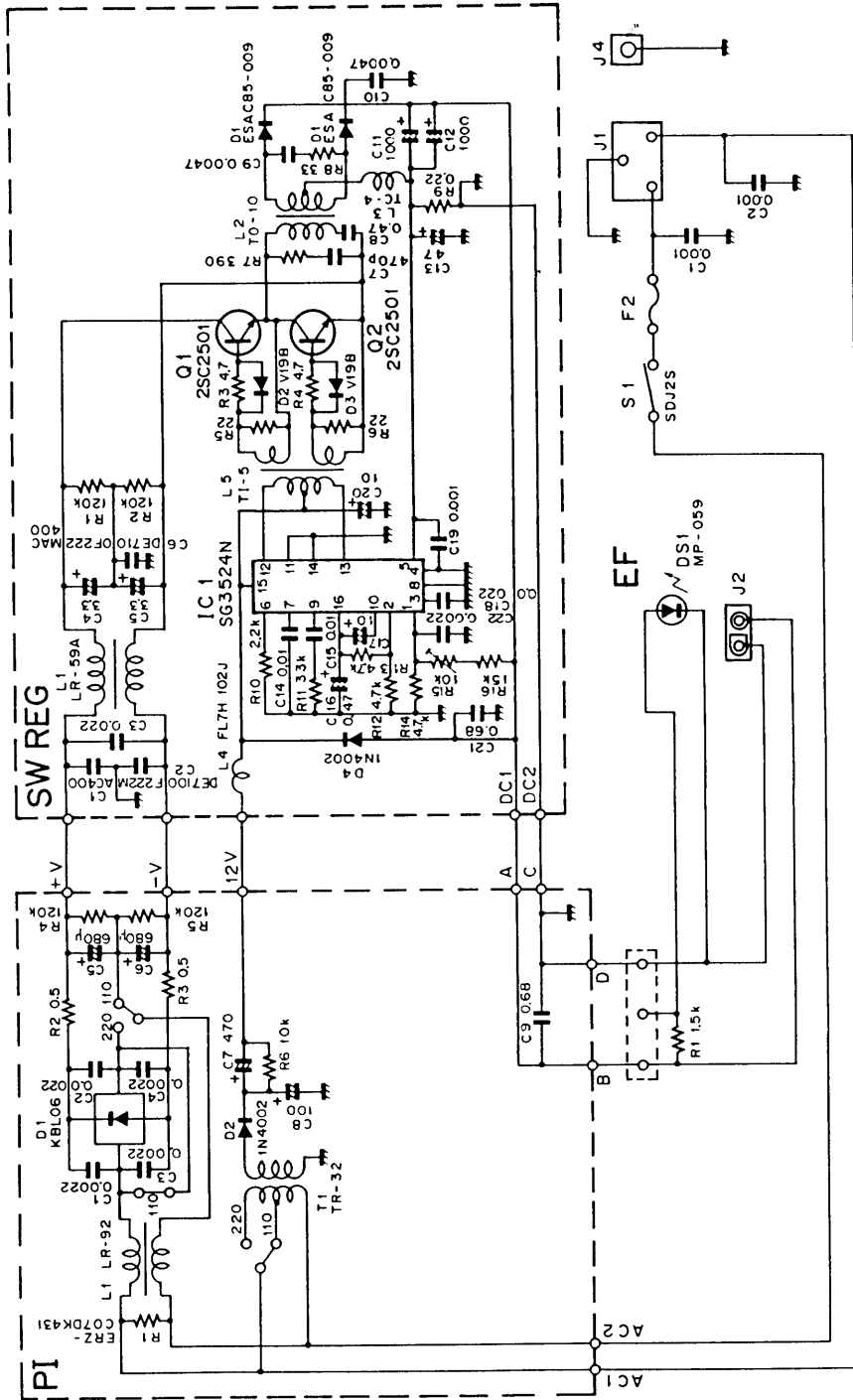
Tilt the transceiver to an angle that suits your viewing preference.



1. Attach the two brackets to the sides of the PS-200.
2. Insert screws (a) at the bottom of the brackets and PS-200, then screw down.
3. Set the transceiver on the bracket clips.
4. Insert screws (b) in the brackets and screw down.

NOTE: The PS-200 schematic diagram is on the reverse side of this instruction sheet.

SCHEMATIC DIAGRAM



To upgrade quality, some components may be subject to change without notice.

ICOM INCORPORATED
 1-6-19, KAMIKURATSUKURI, HIRANO-KU,
 OSAKA 547, JAPAN